

## Area Scan Cameras

# DALSA CA-D8

*This progressive scan camera uses a Frame Transfer architecture—it has an on-chip shielded storage region and requires no shutter.*

### DALSA performance at an RS-170 price!

**NEW LOWER PRICE.** The DALSA CA-D8 camera provides premium performance and premium image quality. A single output eases interfacing, while 100% fill factor ensures that you get the whole picture.

With up to 77 frames per second you can capture a lot of images in a short time—ideal for applications where RS170 just isn't good enough. The camera's frame transfer architecture and electronic shutter also allow "snapshot" operation, meaning you can trigger event-driven individual image captures.

The CA-D8 is available now for US \$1499 and in quantity for \$1349. Contact your DALSA representative for more information.



## Features

- Progressive scan readout
- Exposure control and antiblooming
- On-chip shutter
- 100% fill factor
- "Snapshot" operation

## Specifications

<b>Resolution</b>	512 x 512
<b>Pixel Size</b>	10 $\mu$ m x 10 $\mu$ m
<b>Aperture</b>	5.2x5.2mm
<b>Lens Mount</b>	C-mount
<b>Max. Line/Frame Rate</b>	77fps
<b>Data Rate</b>	25MHz
<b>Data Format</b>	8-bit LVDS
<b>Responsivity</b>	1.33DN/(nJ/cm <sup>2</sup> ) broadband
<b>Dynamic Range</b>	500:1 (typ.)
<b>Nominal Gain Range</b>	fixed
<b>Size</b>	89x89x83mm
<b>Mass</b>	0.8kg
<b>Operating Temp</b>	50 C (max.)
<b>Power Supply</b>	+5V, -5V, +15V
<b>Power Dissipation</b>	<7W
<b>Regulatory Compliance</b>	CE

## Applications

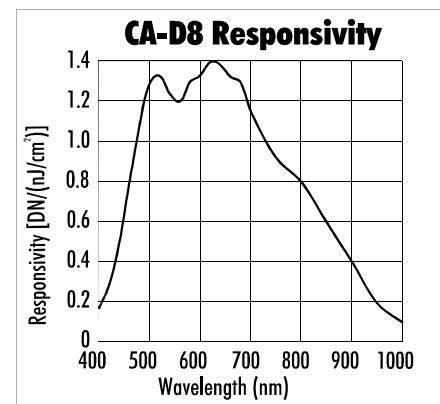
- Wafer and electronic inspection
- Microscopy

## Sensor

The CA-D8 uses DALSA's IA-D8 frame transfer image sensor. Contact DALSA for more details.

## Connectors

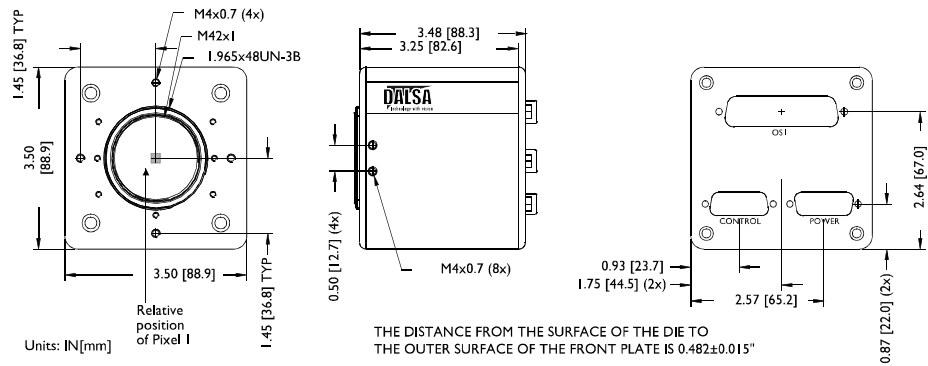
<b>Control</b>	DB15F
<b>Data</b>	DB25F
<b>Power</b>	DB15M
<b>Other</b>	none



**DALSA**  
Technology with vision

29-May-01  
03-70-00114-00  
www.dalsa.com

### Mechanical Dimensions



### For More Information

For more detailed information on this and other products, including pinouts, timing, and signal descriptions, see the full product datasheet. Contact your local rep or visit our website at [vfm.dalsa.com/CA-D8/](http://vfm.dalsa.com/CA-D8/).

#### DALSA Worldwide Sales

605 McMurray Rd  
 Waterloo, ON N2V 2E9  
 Canada  
 Tel: 519 886 6000  
 Fax: 519 886 8023  
[www.dalsa.com](http://www.dalsa.com)  
[sales@dalsa.com](mailto:sales@dalsa.com)

#### DALSA European Sales

Breslauer Str. 34  
 D-82194 Gräbenzell (Munich)  
 Germany  
 Tel: +49 - 8142 - 46770  
 Fax: +49 - 8142 - 467746  
[www.dalsa.com](http://www.dalsa.com)  
[europe@dalsa.com](mailto:europe@dalsa.com)

#### DALSA Asia Pacific Sales

Aoba Seimei Bldg. 7F  
 3-6-30 Aobadai, Meguro-ku  
 Tokyo 153-0042, Japan  
 Tel: 519 886 6000  
 Fax: 519 886 8023  
[www.dalsa.com](http://www.dalsa.com)  
[asia@dalsa.com](mailto:asia@dalsa.com)

