

Piranha CL-P4 (Preliminary)

Line Scan imagers use a single line of sensor pixels to build up a two-dimensional image. Fax machines are low-resolution examples.

Get the big picture faster than ever before...with a 6k or 8k Piranha.

The CL-P4 is the latest addition to DALSA's top-performing Piranha camera family. Like the original Piranha, it provides two taps for high line rates and total pixel rates. But the CL-P4 offers the larger resolutions you've been asking for—6144 or 8192 pinned photodiode pixels. The CL-P4 also adds a higher gain setting and a single voltage power input.

Perfect for large webs or very high resolution imaging, the Piranha still outputs the most significant 8 bits from 10-bit digitizers for higher quality output. And it retains the low noise, high responsivity, CE compliance and LVDS output of the original Piranha.

For the biggest fish in the imaging sea, try a CL-P4 Piranha.



Features

- High resolution
- High sensitivity
- Pinned photodiode pixels
- Multiple outputs for high line rate
- 100% fill factor
- Single power supply

Specifications

Resolution	6144 / 8192
Pixel Size	7µm x 7µm
Aperture	43 / 57.3mm x 7µm
Lens Mount	3.00" x 28UN hole
Max. Line/Frame Rate	7.9 / 6.0kHz
Data Rate	2x25MHz
Data Format	2x8-bit LVDS
Responsivity	20.6DN/(nJ/cm ²)
Dynamic Range	207:1
Nominal Gain Range	fixed
Size	89x89x105mm
Mass	0.8kg
Operating Temp	0-50 C
Power Supply	12 to 15V
Power Dissipation	< 8W
Regulatory Compliance	CE
Example Part Number	CL-P4-6144W-ECEW

Applications

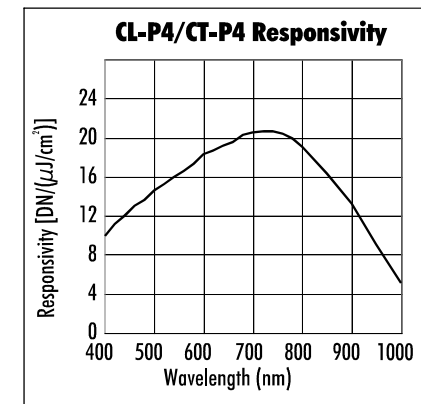
- Postal/parcel sorting
- High performance document scanning/image lift
- Optical character recognition
- Industrial inspection

Sensor

The CL-P4 (Preliminary) uses DALSA's latest high-resolution sensor with advanced "pinned photodiode" pixels using DALSA advanced surface gated photodiode technology. Contact DALSA for more information.

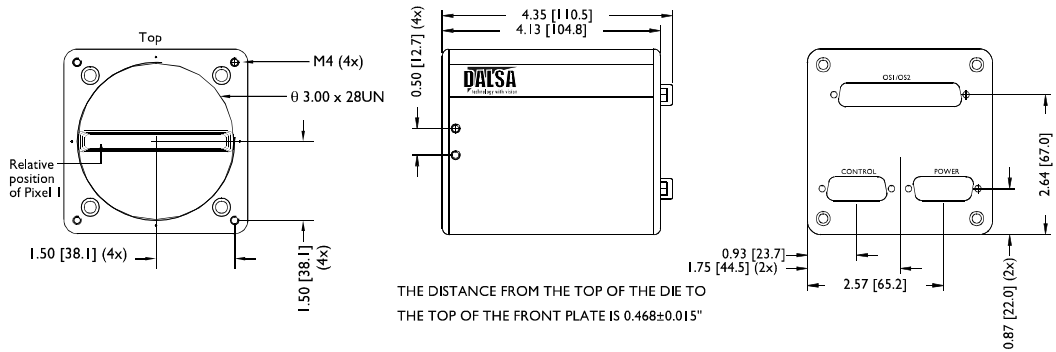
Connectors

Control	DB15F
Data	DB37F
Power	DB15M
Other	none



28-Aug-01
03-70-00054-03
www.dalsa.com

Mechanical Dimensions



For More Information

For more detailed information on this and other products, including pinouts, timing, and signal descriptions, see the full product datasheet. Contact your local rep or visit our website at <http://vfm.dalsa.com/products>.

DALSA Worldwide Sales

605 McMurray Rd
 Waterloo, ON N2V 2E9
 Canada
 Tel: 519 886 6000
 Fax: 519 886 8023
www.dalsa.com
sales@dalsa.com

DALSA European Sales

Breslauer Str. 34
 D-82194 Gröbenzell (Munich)
 Germany
 Tel: +49 - 8142 - 46770
 Fax: +49 - 8142 - 467746
www.dalsa.com
europa@dalsa.com

DALSA Asia Pacific Sales

Space G1 Building, 4F
 2-40-2 Ikebukuro
 Toshima-ku, Tokyo 171-0014
 Japan
 +81 3 5960 6353 (phone)
 +81 3 5960 6354 (fax)
www.dalsa.com
asia@dalsa.com

